

3 way for compressed air, Popet Solenoid Valves

Codification key

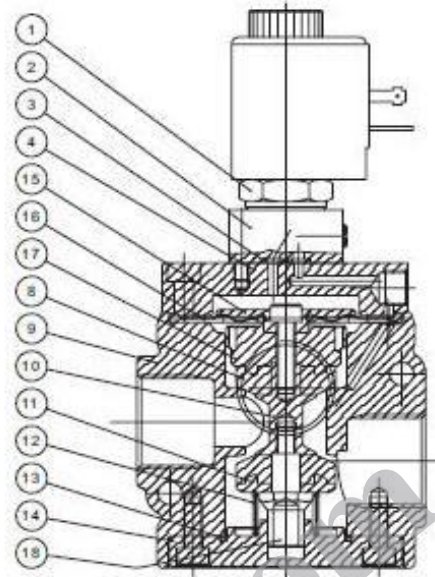
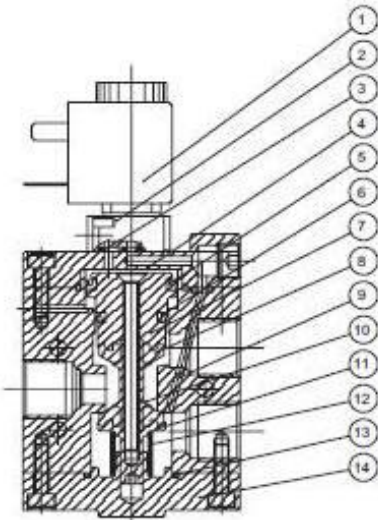
Family	Function	Type	Variant
-MF-F (3/2 for compressed air)	25 (electric control)		N
	26 (pneumatic control)		
-MF-G (3/2 per vacuum)	30 (electric control)		
	31 (pneumatic control)		
	32 (direct vacuum)		



SMS Sanayi Malzemeleri Uretim ve Satisi A.S.

Head Office : Bostancı Yolu Cad. Kuru Sok. No:16 Y. Dudullu, 34776 Ümraniye / İstanbul - Turkey
Tel: +90 (216) 364 34 05 (pbx) Fax: +90 (216) 364 37 57

Factory: Çerkeşli OSB Mah. Dilovası İMES OSB 5.Cad. No:6 - Kocaeli / Turkey
Tel: +90 (262) 290 20 20 Fax: +90 (262) 290 20 21



Technical data

Fluid: filtered air 50µ without lubrication; the lubrication, if used, must be continued.

Working pressure: 3 ÷ 10 Bar vacuum max 755mm HG

Ambient temperature: -20 ÷ 50°C

Fluid temperature: + 50°C max

Dynamic seals: polyurethane

Static seals: NBR

Capacity

Connections :	1/8"	1/4"	3/8"	1/2"	3/4"	1"	1 1/2"	2"
Nominal diameter :	5.5	8	10	15	19	25	39	50
Compressed air flow rate at 6 bar (NI/min) :	600	1100	1500	5500	6500	13500	35000	60000
Vacuum flow rate at 755 mmHG (m3/h) :	1.5	4	10	20	35	90	180	250

SMS Sanayi Malzemeleri Uretim ve Satisi A.S.

Head Office : Bostancı Yolu Cad. Kuru Sok. No:16 Y. Dudullu, 34776 Ümraniye / İstanbul - Turkey
Tel: +90 (216) 364 34 05 (pbx) Fax: +90 (216) 364 37 57

Factory: Çerkeşli OSB Mah. Dilovası İMES OSB 5.Cad. No:6 - Kocaeli / Turkey
Tel: +90 (262) 290 20 20 Fax: +90 (262) 290 20 21

Mechanic items

POS.	DESCRIPTION	MATERIAL	TREATMENT
1	Electric pilot	Brass	Nickel plated
2	Pilot base	Zama	Nickel plated
4	Upper cap	Aluminium 11S	Anodized
7	Amplification piston	Aluminium 11S	
9	Valve body	Aluminium 11S	Polishing + pickling
10	Spool	Aluminium 11S	
11	Poppet guide	Brass	
12	Spring	Inox steel	
14	Lower cap	Aluminium 11S	Anodized
15	Amplification piston support	Aluminium 11S	
17	Amplification piston	POM	
18	Poppet guide	AVP	Kanigen

Seal items

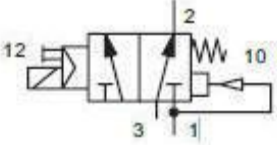
POS.	DESCRIPTION	MATERIAL	TEMPERATURES
3	O-ring	NBR	-30 ÷ +80 °C
5	Seal	NBR	-30 ÷ +80 °C
6	Seal	NBR	-30 ÷ +80 °C
8	Poppet	Polyurethane PU 85sh	Max 16 bar -30 ÷ +80 °C
13	O-ring	NBR	-30 ÷ +80 °C
16	Membrane	Polyurethane PU 90sh	Max 16 bar -30 ÷ +80 °C

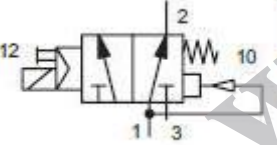
SMS Sanayi Malzemeleri Uretim ve Satisi A.S.

Head Office : Bostancı Yolu Cad. Kuru Sok. No:16 Y. Dudullu, 34776 Ümraniye / İstanbul - Turkey
Tel: +90 (216) 364 34 05 (pbx) Fax: +90 (216) 364 37 57

Factory: Çerkeşli OSB Mah. Dilovası İMES OSB 5.Cad. No:6 - Kocaeli / Turkey
Tel: +90 (262) 290 20 20 Fax: +90 (262) 290 20 21

Technical data: compressed air version

TYPE/ SIMBOL	Size	Function	Ø mm	Flow NI/min	Press bar	Time ms		Code
						Ecc. 12	Dis.10	
	1/8"	Electrical control monostable N.C.	5,5	600	3 ÷ 10	15	18	-MF-F2500
	1/4"		8	1100	3 ÷ 10	20	22	-MF-F2510
	3/8"		10	1500	3 ÷ 10	20	22	-MF-F2520
	1/2"		15	5500	3 ÷ 10	18	25	-MF-F2530
	3/4"		19	6500	3 ÷ 10	18	25	-MF-F2540
	1"		25	13500	3 ÷ 10	20	30	-MF-F2545
	1 1/2"		39	35000	3 ÷ 10	45	30	-MF-F2560
	2"		50	60000	3 ÷ 10	50	35	-MF-F2580

TYPE / SIMBOL	Size	Function	Ø mm	Flow NI/min	Press bar	Time ms		Code
						Ecc. 12	Dis.10	
	1/8"	Electrical control monostable N.O.	5,5	600	3 ÷ 10	15	18	-MF-F2501
	1/4"		8	1100	3 ÷ 10	20	22	-MF-F2511
	3/8"		10	1500	3 ÷ 10	20	22	-MF-F2521
	1/2"		15	5500	3 ÷ 10	18	25	-MF-F2531
	3/4"		19	6500	3 ÷ 10	18	25	-MF-F2541
	1"		25	13500	3 ÷ 10	20	30	-MF-F2546
	1 1/2"		39	35000	3 ÷ 10	45	30	-MF-F2561
	2"		50	60000	3 ÷ 10	50	35	-MF-F2581

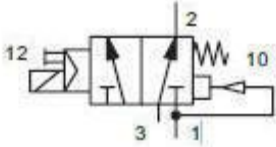
SMS Sanayi Malzemeleri Üretim ve Satış A.Ş.

Head Office : Bostancı Yolu Cad. Kuru Sok. No:16 Y. Dudullu, 34776 Ümraniye / İstanbul - Turkey

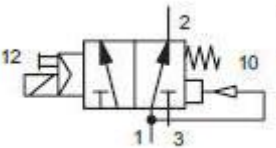
Factory: Çerkeşli OSB Mah. Dilovası İMES OSB 5.Cad. No:6 - Kocaeli / Turkey
Tel: +90 (216) 364 34 05 (pbx) Fax: +90 (216) 364 37 57



TYPE / SIMBOL	Size	Function	Ø mm	Flow Nl/min	Press bar	Time ms		Code
						Ecc. 12	Dis.10	
	1/8"		5,5	600	3 ÷ 10	15	18	-MF-F2600
	1/4"		8	1100	3 ÷ 10	20	22	-MF-F2601
	3/8"		10	1500	3 ÷ 10	20	22	-MF-F2606
	1/2"	Pneumatic control	15	5500	3 ÷ 10	18	25	-MF-F2603
	3/4"	monostable	19	6500	3 ÷ 10	18	25	-MF-F2610
	1"	N.C.	25	13500	3 ÷ 10	20	30	-MF-F2615
	1 1/2"		39	35000	3 ÷ 10	45	30	-MF-F2620
	2"		50	60000	3 ÷ 10	50	35	-MF-F2680



TYPE / SIMBOL	Taglia	Function	Ø mm	Flow Nl/min	Press bar	Time ms		Code
						Ecc. 12	Dis.10	
	1/8"		5,5	600	3 ÷ 10	15	18	-MF-F2700
	1/4"	Pneumatic control	8	1100	3 ÷ 10	20	22	-MF-F2701
	3/8"	monostable	10	1500	3 ÷ 10	20	22	-MF-F2706
	1/2"	N.O.	15	5500	3 ÷ 10	18	25	-MF-F2703



SMS Sanayi Malzemeleri Uretim ve Satısı A.S.

Head Office : Bostancı Yolu Cad. Kuru Sok. No:16 Y. Dudullu, 34776 Ümraniye / İstanbul - Turkey

Factory: Çerkeşli OSB Mah. Dilovası İMES OSB 5.Cad. No:6 - Kocaeli / Turkey
Tel: +90 (216) 364 34 05 (pbx) Fax: +90 (216) 364 37 57

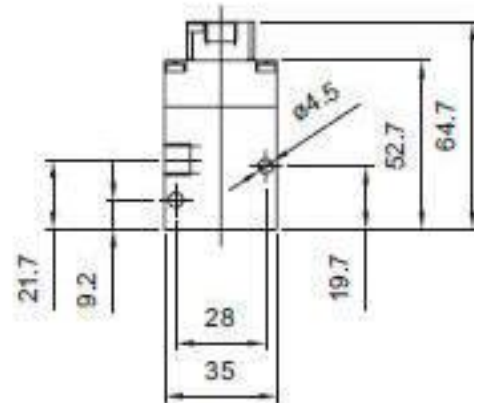
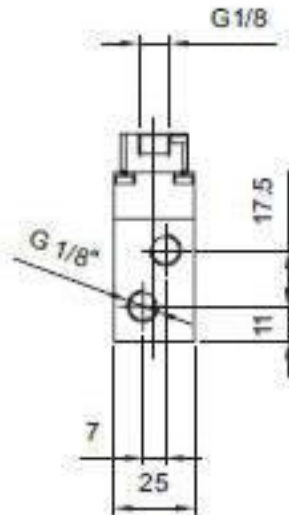
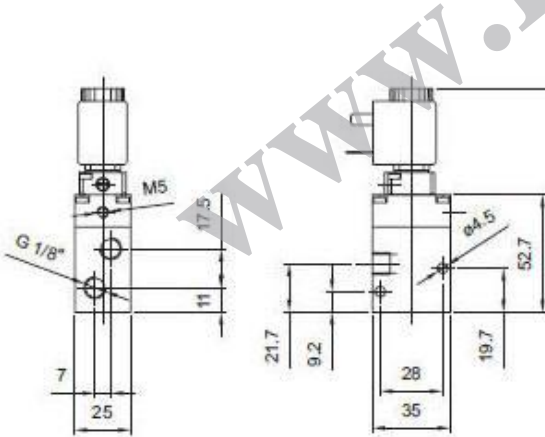
3/4"	19	6500	3 ÷ 10	18	25	-MF-F2710
1"	25	13500	3 ÷ 10	20	30	-MF-F2715
1 1/2"	39	35000	3 ÷ 10	45	30	-MF-F2720
2"	50	60000	3 ÷ 10	50	35	-MF-F2780



Overall dimensions

Single electric impulse 1/8"

Single pneumatic impulse 1/8"



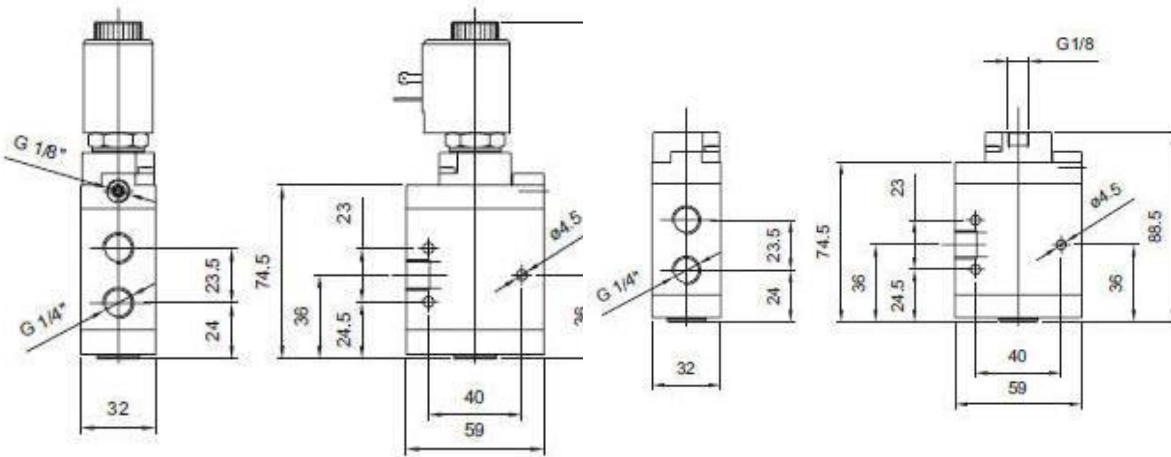
Single electric impulse 1/4"

Single pneumatic impulse 1/4"

SMS Sanayi Malzemeleri Uretim ve Satisi A.S.

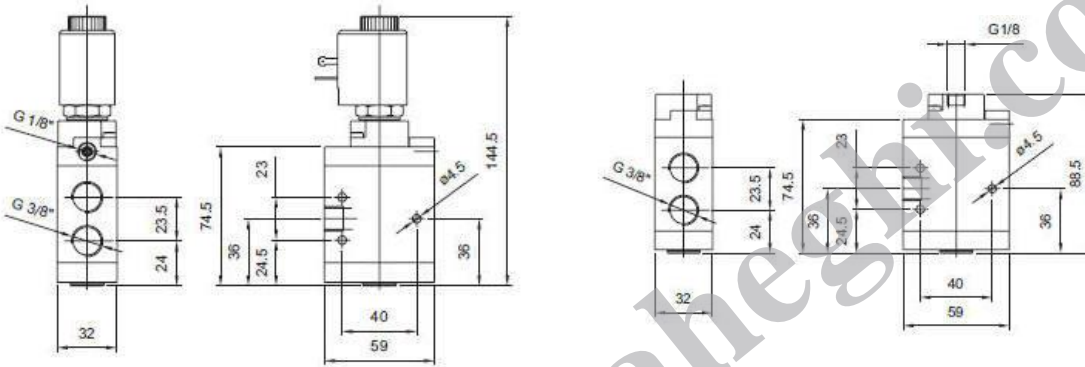
Head Office : Bostancı Yolu Cad. Kuru Sok. No:16 Y. Dudullu, 34776 Ümraniye / İstanbul - Turkey

Factory: Çerkeşli OSB Mah. Dilovası İMES OSB 5.Cad. No:6 - Kocaeli / Turkey
Tel: +90 (216) 364 34 05 (pbx) Fax: +90 (216) 364 37 57



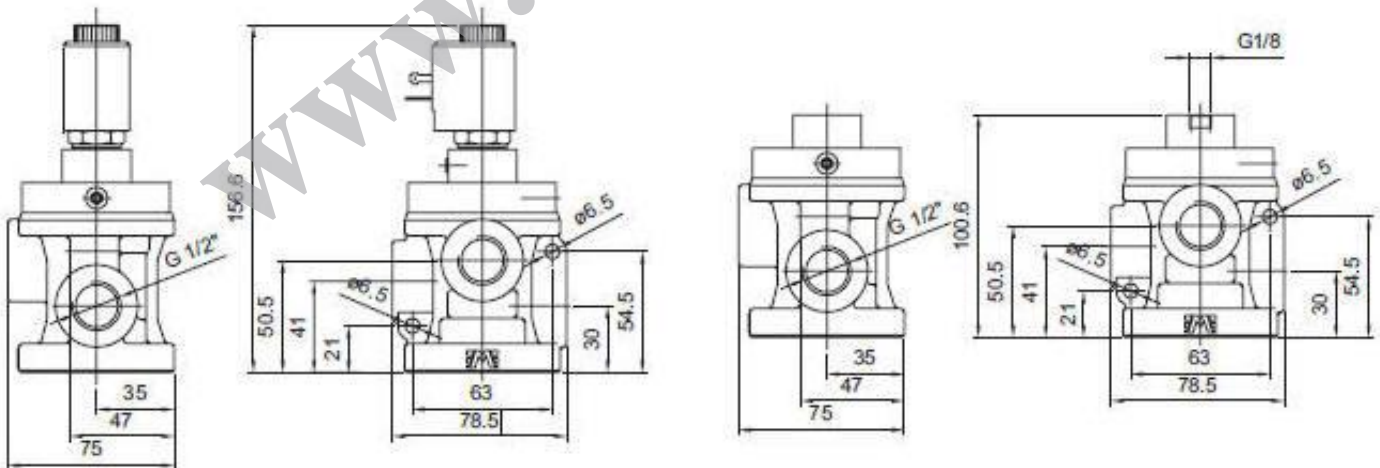
Single electric impulse 3/8''

Single pneumatic impulse 3/8''



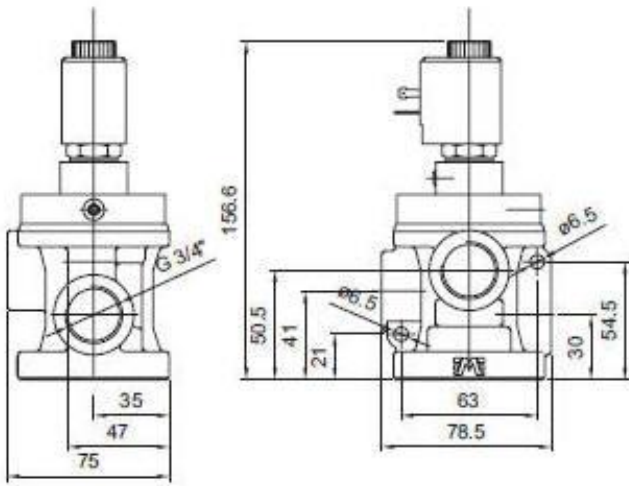
Single electric impulse 1/2''

Single pneumatic impulse 1/2''

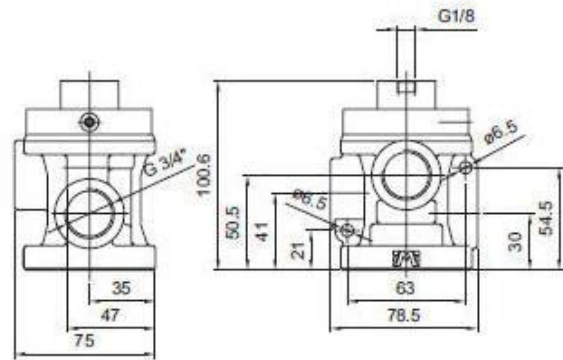


Single electric impulse 3/4''

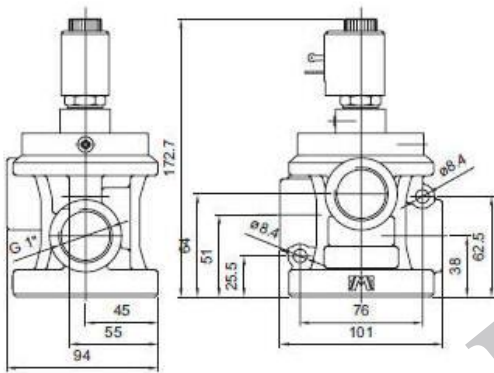
Single pneumatic impulse 3/4''



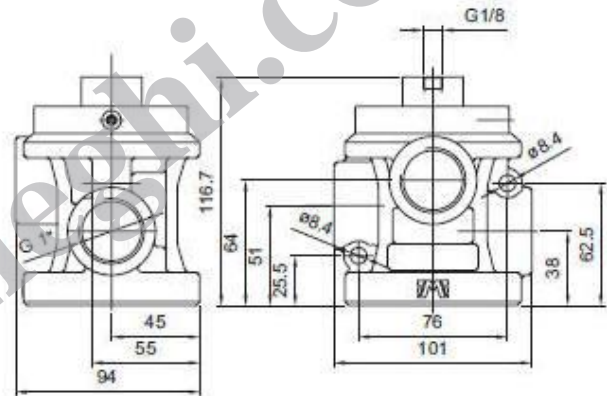
Single electric impulse 1''



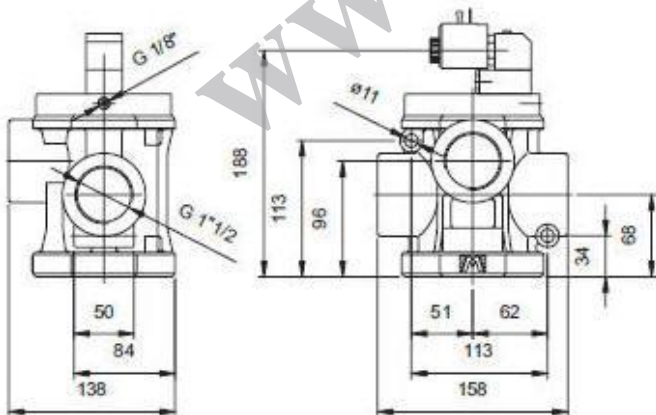
Single pneumatic impulse 1''



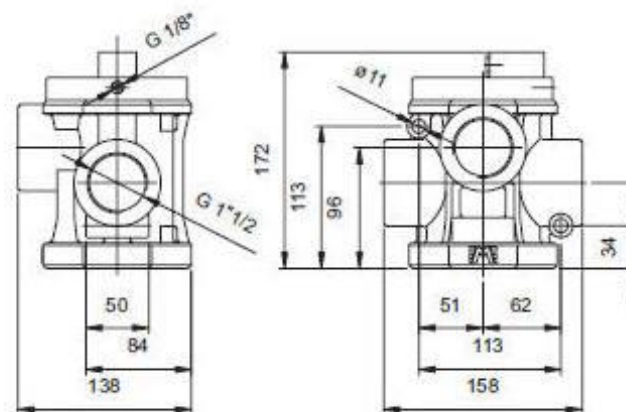
Single electric impulse 1-1/2''



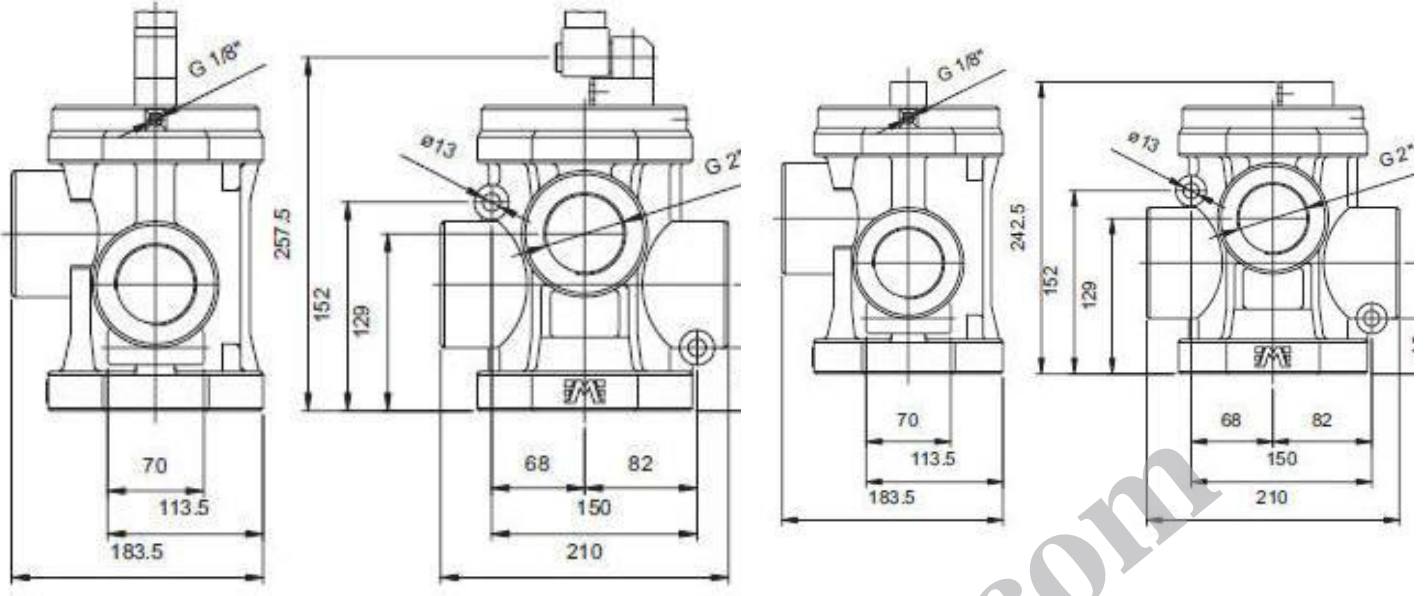
Single pneumatic impulse 1-1/2''



Single electric impulse 2''



Single pneumatic impulse 2''



www.Laheghi.com

SMS Sanayi Malzemeleri Uretim ve Satisi A.S.

Head Office : Bostancı Yolu Cad. Kuru Sok. No:16 Y. Dudullu, 34776 Ümraniye / İstanbul - Turkey
Tel: +90 (216) 364 34 05 (pbx) Fax: +90 (216) 364 37 57

Factory: Çerkeşli OSB Mah. Dilovası İMES OSB 5.Cad. No:6 - Kocaeli / Turkey
Tel: +90 (262) 290 20 20 Fax: +90 (262) 290 20 21